

Please put your name here

Study No. 3 Noah and the Flood - Working for God



Genesis 6: 14-22
7: 1-24



Hebrews 11: 7

Suggested Further Reading

Matthew 24: 37-39 1 Peter 3: 17-22 2 Peter 2: 4 & 5 2 Peter 3: 3-9

God had a plan so that Noah and his family could escape His judgment. He gave Noah detailed instructions about making an ark.

What kind of wood was Noah to use?

	1
--	---

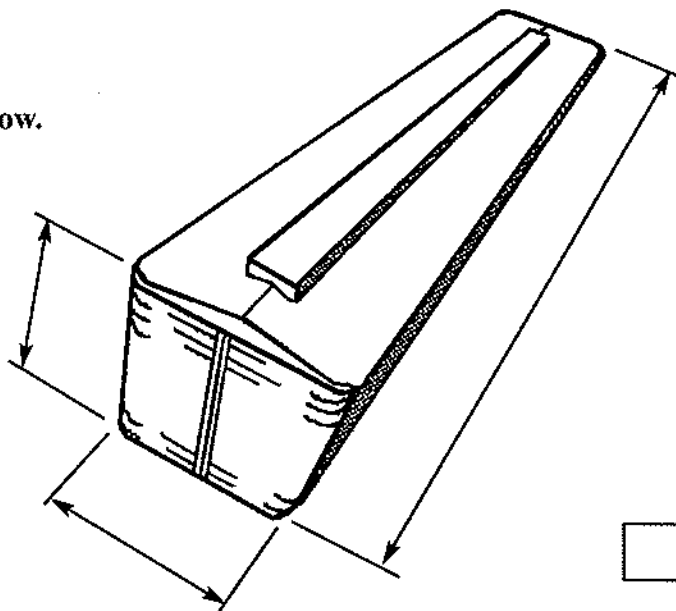
With what was Noah to coat the ark on the inside and outside?

	1
--	---

This was to make it waterproof.

How big was the ark?

Put each dimension beside the appropriate arrow.



These dimensions are similar to the proportions of a modern ocean liner. In length, it was greater than a football field!

	3
--	---

How many decks (stories) was it to have?

	1
--	---

God also gave Noah detailed instructions about what was to go into the ark with him: the animals, birds, reptiles and food. Noah accepted God's instructions without hesitation.



Write a verse from the Bible Reading which tells us that Noah obeyed God's instructions.

	1
--	---

In chapter 7, many numbers are mentioned.

Find in which verse each of the following numbers appears. To what does it refer?

Number	Verse	What it refers to ...
7 (3 times)		
600		
40		
150		

	6
--	---

Who closed the door of the ark?

	1
--	---

How many people were saved in the ark?

(Work it out from the Reading or look at 1 Peter 3: 20.)

	1
--	---

About how many years did Noah spend building the ark?

(Look at Genesis 5: 32 and 7: 6.)

	1
--	---

God waited patiently until it was completed (1 Peter 3: 20) and Noah preached righteousness to the people (2 Peter 2: 5). However, not one, apart from his immediate family, repented and believed. All the people just carried on in their sinful ways.

In the Key Verse, Noah had something which both Abel and Enoch also had. What was that?

	1
--	---

He believed God and obeyed what God told him to do, so he and his family were saved. All the people around him had rejected God. They had to be punished by God for their sin. If we want to be saved from our sin, we must believe in the Lord Jesus Christ (Acts 16: 31).

From what two sources did the water come?

	2
--	---

The whole earth was covered by the flood waters (verse 19).

How high above the highest mountains did the water rise?

	1
--	---

The ark and its strange cargo was carried along by the flood waters, watched over and kept safe by God. God watches over us too, throughout our lives, and keeps us safe in His hand if we trust in Him.

For teacher's remarks

Total
20